

BYD's Dream All Human Hope

Changing human dependence on non-renewable energy as the starting point, with three green dreams of electric vehicle, energy storage station and solar farm, BYD looks forward to helping more countries and people to get rid of fossil energy over consumption crisis and environmental pollution, and strive to leave offspring a beautiful and clean world to live in.



In the daytime, solar panels capture solar energy like plants. At night, energy storage station transports the stored energy, like solar energy, wind energy, tidal energy, to thousands of families smoothly.

The electric vehicle, shuttling on the streets and lanes, is of zero emission, zero pollution.

Is this a dream?

This is the green dream of BYD and even all human beings.

Is this a dream?

No. We are already seeing it approaching us.





22.0%

Average cell efficiency up to 22.0%
Excellent optical performance

0-5W

Power tolerance 0-5W
Reliability for output performance

10
Years

10 years for product
25 years linear Warranty

Grid

Residential roof top systems
On/Off-grid commercial systems
On/Off-grid utility systems

3rd

Design loads: 3600 Pa for positive
(downward) and 1600 Pa for
negative (upward) Safety factors Ym: 1.5

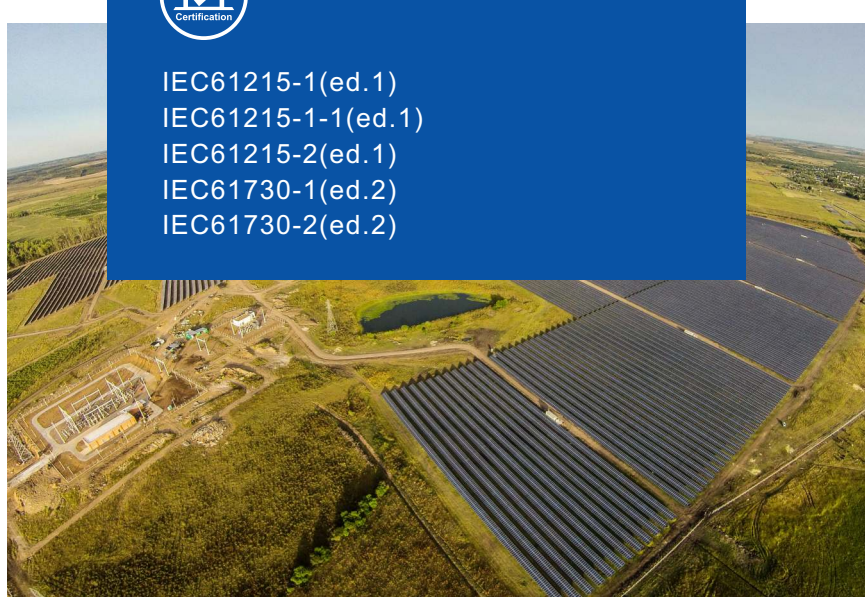
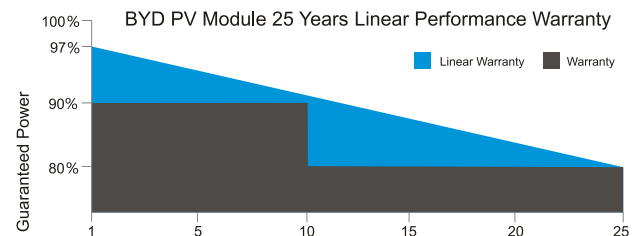
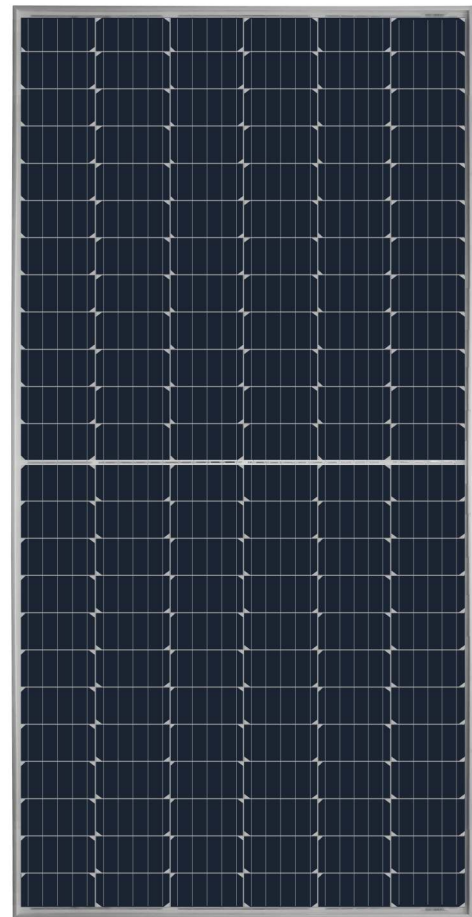
Corresponding to maximum snow and ice
load 5400Pa, maximum wind load 2400Pa

Certification

IEC61215-1(ed.1)
IEC61215-1-1(ed.1)
IEC61215-2(ed.1)
IEC61730-1(ed.2)
IEC61730-2(ed.2)

BYD Monocrystalline Modules

BYD MIK-36-5BB 380W-410W



BYD MIK-36-5BB 380W-410W

Mechanical Properties

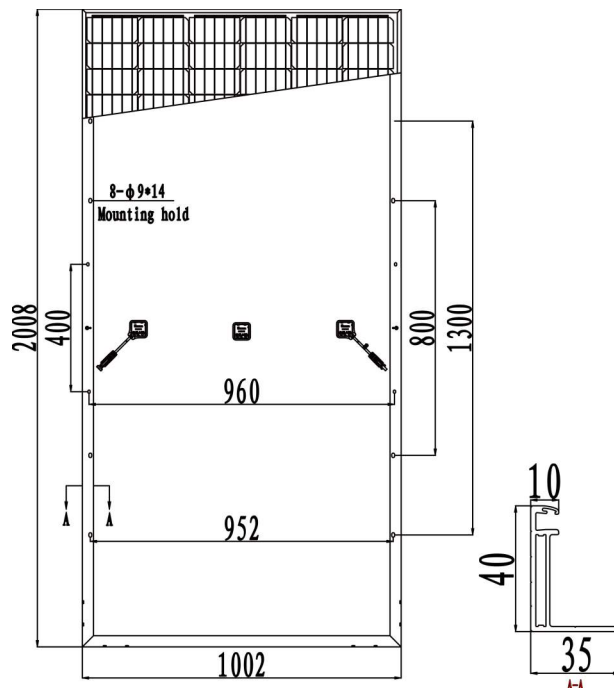
Cell Type	158.75mm*79.375mm
Number of Cells	144 (12 ×12) pcs
Dimension	2008*1002*40mm
Weight	21.8Kg ±5%
Front/Glass	3.2mm tempered glass with AR Coating
Frame	Anodized aluminum alloy
Junction Box	IP67(3 Diodes)
Cable Type	4.0mm ² x450mm
Connector	MC4 Compatible

Temperature Coefficient

TemP. Coeff. of Pmax (TK Pmax)	-0.328%/°C
TemP. Coeff. of Voc (TK Voc)	-0.254%/°C
TemP. Coeff. of Isc (TK Isc)	0.041%/°C

Packing Information

Packing Type	40' HQ
Piece/Pallet	27
Pallet/Container	22
Piece/Container	594



Electrical Properties

Module Type	BYD380MIK-36	BYD385MIK-36	BYD390MIK-36	BYD395MIK-36	BYD400MIK-36	BYD405MIK-36	BYD410MIK-36
Peak Power(Pmax)	380Wp	385Wp	390Wp	395Wp	400Wp	405Wp	410Wp
Open Circuit Voltage (Voc) (V)	48.07 V	48.35V	48.64 V	48.92 V	49.21 V	49.49 V	49.78 V
Short Circuit Current (Isc) (A)	10.01 A	10.08 A	10.15 A	10.22 A	10.29 A	10.36 A	10.43A
MPP Voltage (Vmp)(V)	39.97 V	40.20 V	40.42 V	40.65 V	40.87 V	41.10 V	41.32 V
MPP Current (Imp) (A)	9.51 A	9.58 A	9.65 A	9.72 A	9.79 A	9.86 A	9.93 A
Module Efficiency	18.89%	19.14%	19.38%	19.63%	19.88%	20.13%	20.38%
Operating Temperature (°C)	-40°C~+85°C						
Maximum System Voltage (V)	1500 (VDC)						
Maximun Series Fuse Rating (A)	20A						
Fire safety	Class C						
Power tolerance	0-5W						

* Under Standard Test Conditions (STC) of irradiance of 1000 W/m², spectrum AM 1.5 and cell temperature of 25°C.

NOCT

Peak Power(Pmax)	280Wp	284Wp	288Wp	292Wp	295Wp	299Wp	303Wp
Open Circuit Voltage(Voc) (V)	44.50 V	44.80 V	45.10 V	45.40 V	45.70 V	46.00 V	46.30 V
Short Circuit Current (Isc) (A)	8.05 A	8.11 A	8.16 A	8.22 A	8.27 A	8.33 A	8.38 A
MPP Voltage (Vmp)(V)	36.90 V	37.10 V	37.30 V	37.50 V	37.70 V	37.90 V	38.10 V
MPP Current (Imp) (A)	7.62 A	7.67 A	7.72 A	7.77 A	7.82 A	7.87 A	7.92 A

BYD COMPANY LIMITED.

ADD: Yan An Road, Kuichong, Longgang, 518119 Shenzhen, PEOPLE'S REPUBLIC OF CHINA

Version No.: ENMIK-20191211 All Rights Reserved ©2019